



AQUASAVER™ BOOSTER SKID

The Evoqua Water Technologies AquaSaver™ Booster Skid without pH Control is a totally integrated, skid-mounted station for pre-ion exchange water accumulation and transfer. The Booster Skid features: a retention tank, liquid level controls, water inlet solenoid valve, centrifugal transfer pump, and flow meter with control valve. The packaged skid provides economical treatment and / or reuse of contaminated process water when used in conjunction with a Evoqua Water Technologies ion-exchange system.

The AquaSaver™ Booster Skid incorporates multiple tank level controls for centrifugal pump operation and make-up water addition. An oversized tank yields longer retention time for semi-batch operation. The system control panel offers a main on/off switch, power on indicating light, and an emergency-stop lighted pushbutton for safety. Respective red status lights indicate when the centrifugal pump and inlet solenoid valve are on. Individual Hand / Off / Auto switches permit selection of the operation mode for the centrifugal pump and inlet solenoid valve via level controls. Amber indicating lights are also present for low level and high level tank alarms.

The AquaSaver™ Booster Skid is easy to install, startup, and operate, plus the compact design requires minimal floor space. The centrifugal pump and flow meter with control valve design supplies consistent process water flow and pressure optimizing downstream ion-exchange systems.

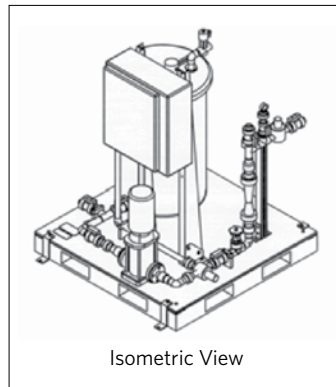
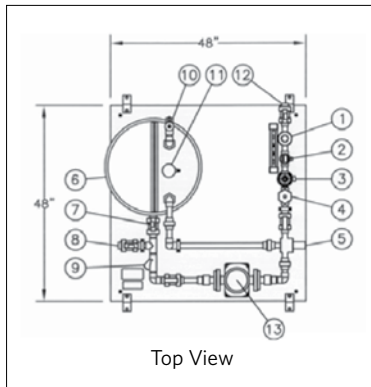
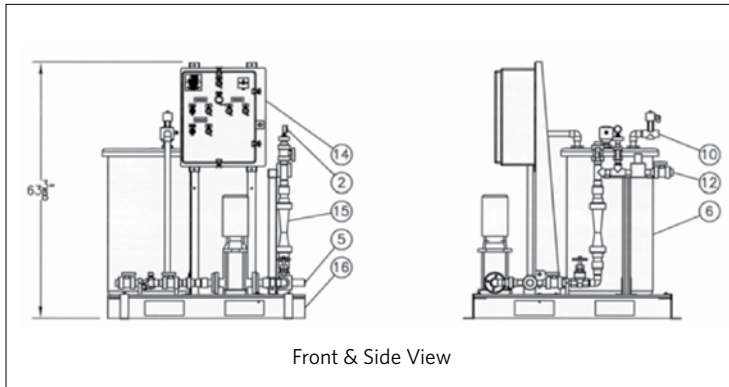
SPECIFICATIONS

Electrical	230 VAC/ 1 Phase/ 60Hz
Maximum Flow Rate	19 GPM
Dimensions	48"W x 48"L x 75"H (Skid Only)
Maximum Pressure	65 PSI
Process Range	2-19 GPM, 50+ PSI
Centrifugal Pump	15.85GPM@approximately 70PSI, 1.5 HP, 316SS / EPDM
Water Inlet	1" Solenoid Valve, PVC/ Viton®
Discharge Outlet	1" PVC / Viton® (F)NPT
Accumulation Tank	55 Gallon w/ Hinged Cover, HDPE

The AquaSaver™ Booster Skid Provides:

- Multiple Levels of Control
- Optional Dual Cartridge Filtration for Improved Water Quality
- Flow Meter and Flow Control Valve to Optimize Performance
- Integrated System Control Panel
- Complete System / Start-Up Ready

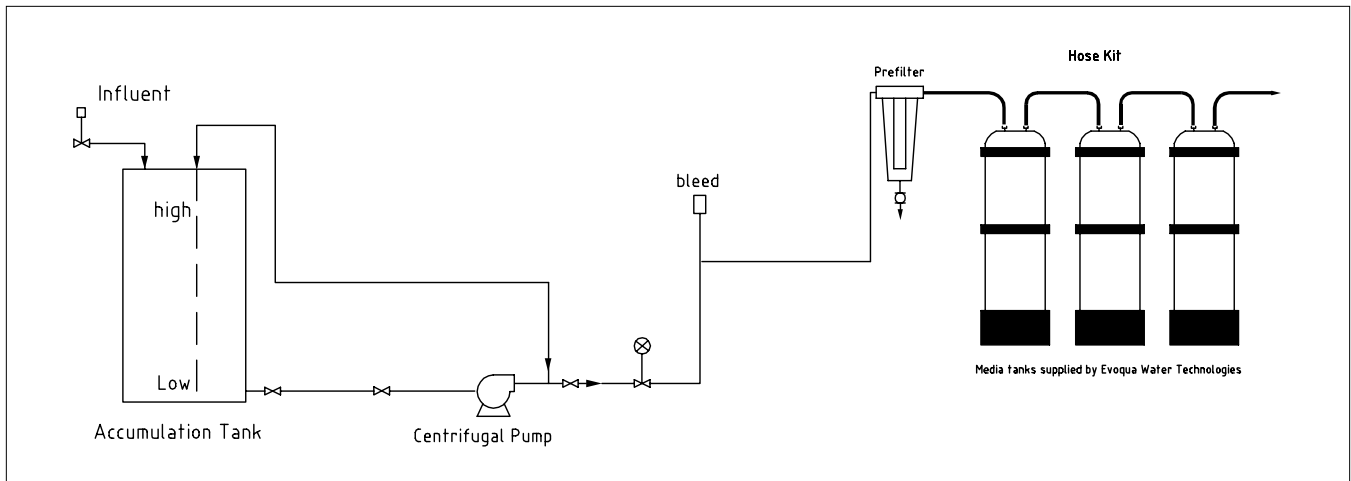
GENERAL LAYOUT



KEY DESCRIPTION

- | KEY | DESCRIPTION |
|-----|--|
| 1 | Back Pressure Valve, 1", PVC/PTFE |
| 2 | Gauge w/Guard, 0-200PSI, 1/2", PVC/PTFE (40PSI Setpoint) |
| 3 | Discharge Bleed, 1", PVC/Viton®, (F)NPT |
| 4 | Globe Valve, 1", PVC/Viton® |
| 5 | Pressure Relief Valve, 1", PVC/PTFE (80PSI Setpoint) |
| 6 | Tank, 55 Gal, w/ Hinged Cover, HDPE |
| 7 | Suction Inlet, 1", PVC/Viton® |
| 8 | Suction Drain, 1", PVC/Viton®, (F)NPT |
| 9 | Y-Strainer, 1", PVC/Viton® |
| 10 | Water Inlet, 1" Solenoid Valve, PVC/Viton® |
| 11 | Level Controller, PP/PVDF |
| 12 | Discharge Outlet, 1", PVC/Viton®, (F)NPT |
| 13 | Pump, 15.85 GPM @ 250PSI, 1.5 HP, 316SS / EPDM |
| 14 | Local Control Panel, See SP13636 for Details |
| 15 | Rotometer, 1.5", PVC/Viton®/PVDF/Polysulfone |
| 16 | Skid, 48" x 48" x 5.75", HDPE w/Forklift Slots |

ELEMENTARY P&ID



210 Sixth Avenue, Suite 3300, Pittsburgh, PA 15222

+1 (800) 466-7873 (toll-free)

+1 (978) 614-7233 (toll)

www.evoqua.com

AquaSaver is a trademark of Evoqua, its subsidiaries or affiliates. Vitron is a trademark of DuPont Performance Elastomers, LLC.

All information presented herein is believed reliable and in accordance with accepted engineering practices. Evoqua makes no warranties as to the completeness of this information. Users are responsible for evaluating individual product suitability for specific applications. Evoqua assumes no liability whatsoever for any special, indirect or consequential damages arising from the sale, resale or misuse of its products.

© 2017 Evoqua Water Technologies LLC

Subject to change without notice

ES-AQSBS-0717