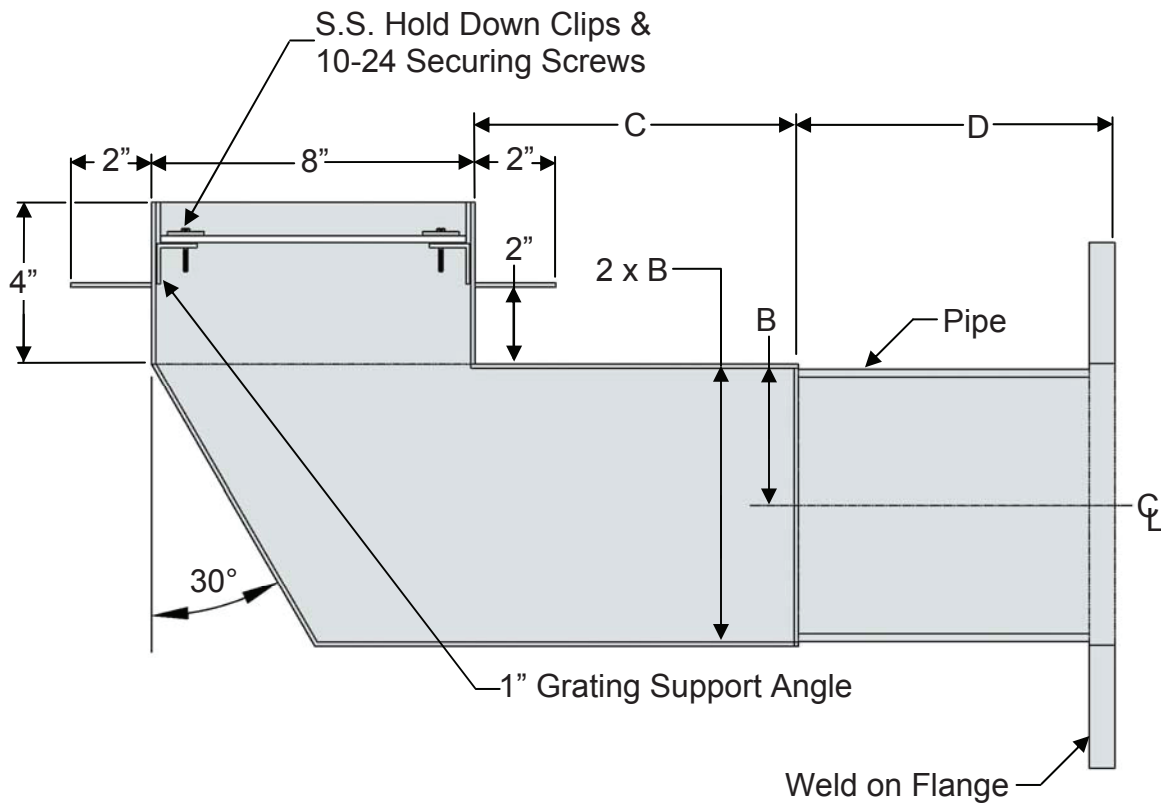
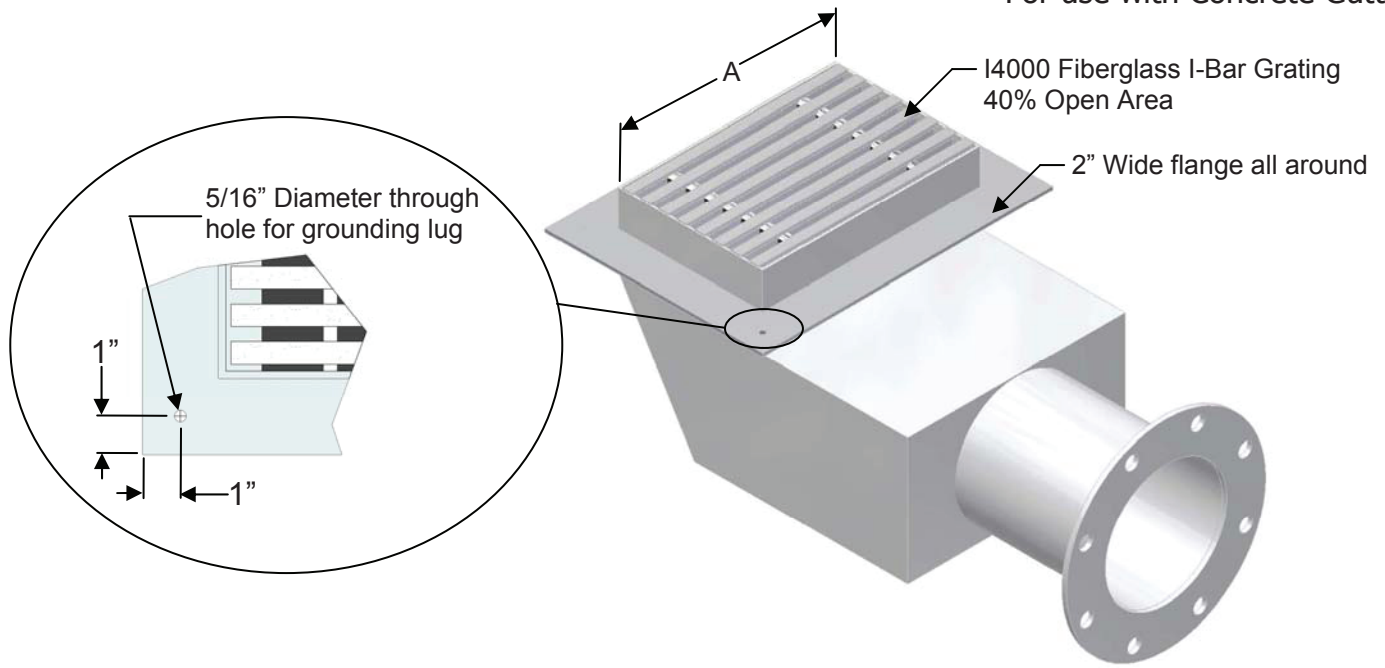


For use with Concrete Gutters



All dimensions are in inches

Connection	A	B	C	D	Part #
4	12	2 1/2	8	6	CONCDRN12BOX04
6	12	3 1/2	8	8	CONCDRN12BOX06
8	18	4 1/2	8	8	CONCDRN12BOX08
10	30	5 1/2	8	10	CONCDRN12BOX10
12	42	6 1/2	8	10	CONCDRN12BOX12

All material 12 GA. T304L Stainless Steel except where noted.

R-5/5/11