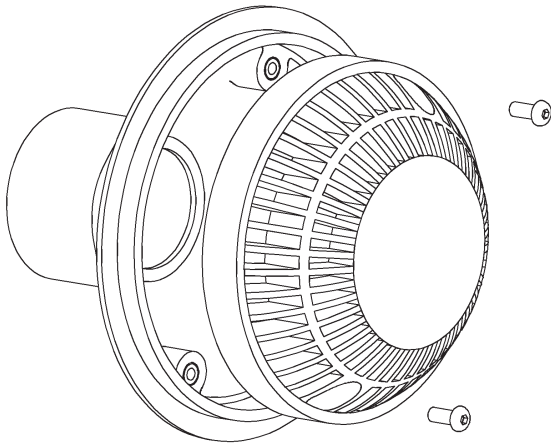
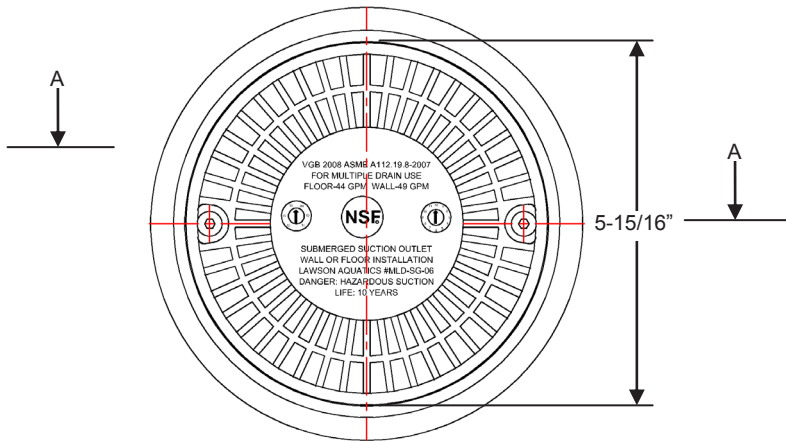


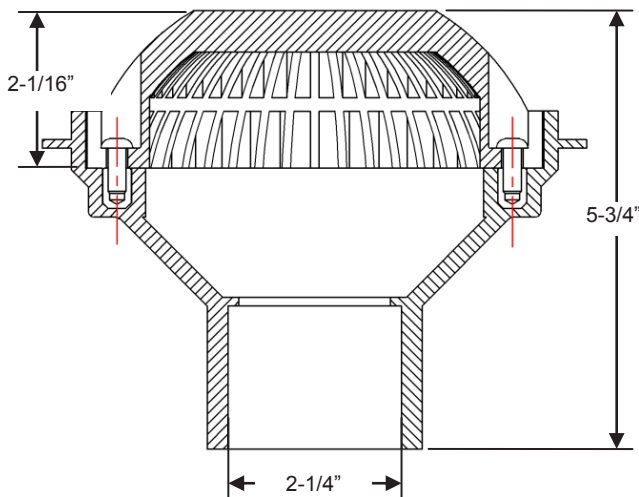
VGB certified, NSF and CPSC listed, our skimmer-equalizer is approved as a submerged suction outlet and designed to be used as a skimmer equalizer suction fitting for both floor and wall.



ISOMETRIC VIEW



PLAN VIEW



SECTION A-A

Perfect for swimming pools and commercial spas!

FEATURES

- For 1.5" or 2" fittings
- Removable grate for installation of winterizing or test plug
- No grounding required
- Molded of high-grade PVC
- Available in white
- Ten year warranty

SPECIFICATIONS		
Size	6" Round	
Part Number	MLD-SG-06-WT	
Material	PVC	
Rear Port	1.5" Or 2"	
Flow Rate (GPM)	Floor	44
	Wall	49
Open Area (in ²)	13.80	



All drawing dimensions supplied by Neptune-Benson, are for reference only. All cad files were created using AutoCAD file format (*.dwg) and are presented as a service to our customers. Errors sometimes occur during this process and with software incompatibility upon opening a file. Neptune-Benson, and/or any authorized distributor of our products will not be held responsible for problems arising from files which have been converted and does not warranty the documents against deficiencies or typographical errors of any kind. We recommend that all measurements are verified with actual physical product before any custom fabrication in the field occurs.

R 06/20/19