

PART#: MLD-SG-06

DESCRIPTION: 6" ROUND SKIMMER EQUALIZER/SUCTION OUTLET
(SUMP & GRATE SUBMERGED SUCTION OUTLETS)

FLOOR GPM	44	WALL GPM	49	OPEN AREA	13.80 SQUARE INCH
--------------	----	-------------	----	--------------	----------------------

The above noted product has been certified to comply with section #1404 of the Virginia Graeme Baker (VGBA) Pool & Spa Safety Act. Further information can be obtained by visiting www.neptunebenson.com and / or <http://www.neptunebenson.com/certification.htm>

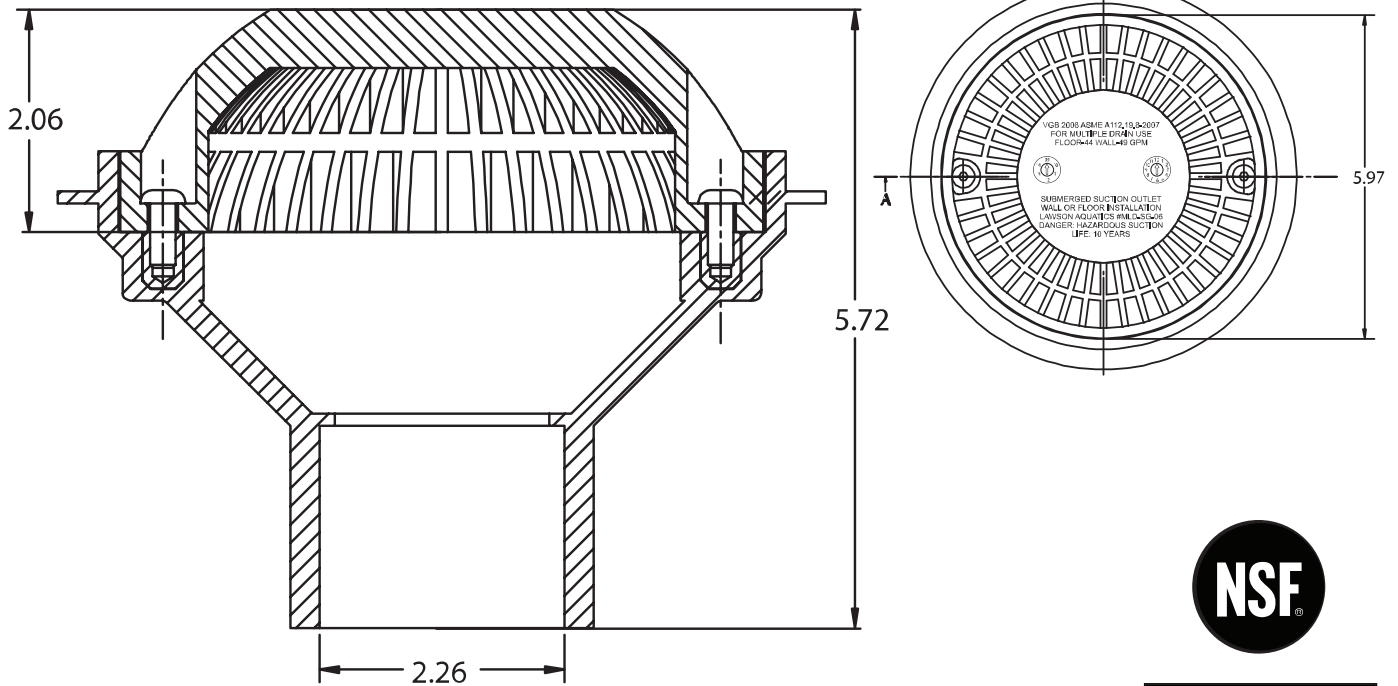
DATE OF MANUFACTURE:

The born-on date will be shown on each product as follows:
The first dial shows the year of manufacture (ex: 2009) and the second dial shows the month of manufacture (ex: December).



Manufacturer recommends replacement after 10 years

Tested to ANSI/ASME 112.19.82007(addendum 8a2008) per Section 1404 of the Virginia Graeme Baker Act (VGB) Pool & Spa Safety Act- December 2008
Certified by NSF International, 789 N. Dixboro, Road, Ann Arbor, MI. 48113-0140 USA (USA): 800-NSF-MARK (+1) 734-769-8010.



Date of Installation (mm/dd/yy)