

V10K INLET LINE
 LOW GAS FLOW SWITCH WITH
 10g/h SWITCHING POINT
 W2T831375

Wallace & Tiernan[®]
 an EVOQUA brand

Overall Dimensions
 WT.025.100.030.IE.CN

NOTE!

REF:
 EVOQUA DRAWING
 NUMBER: XAC1401

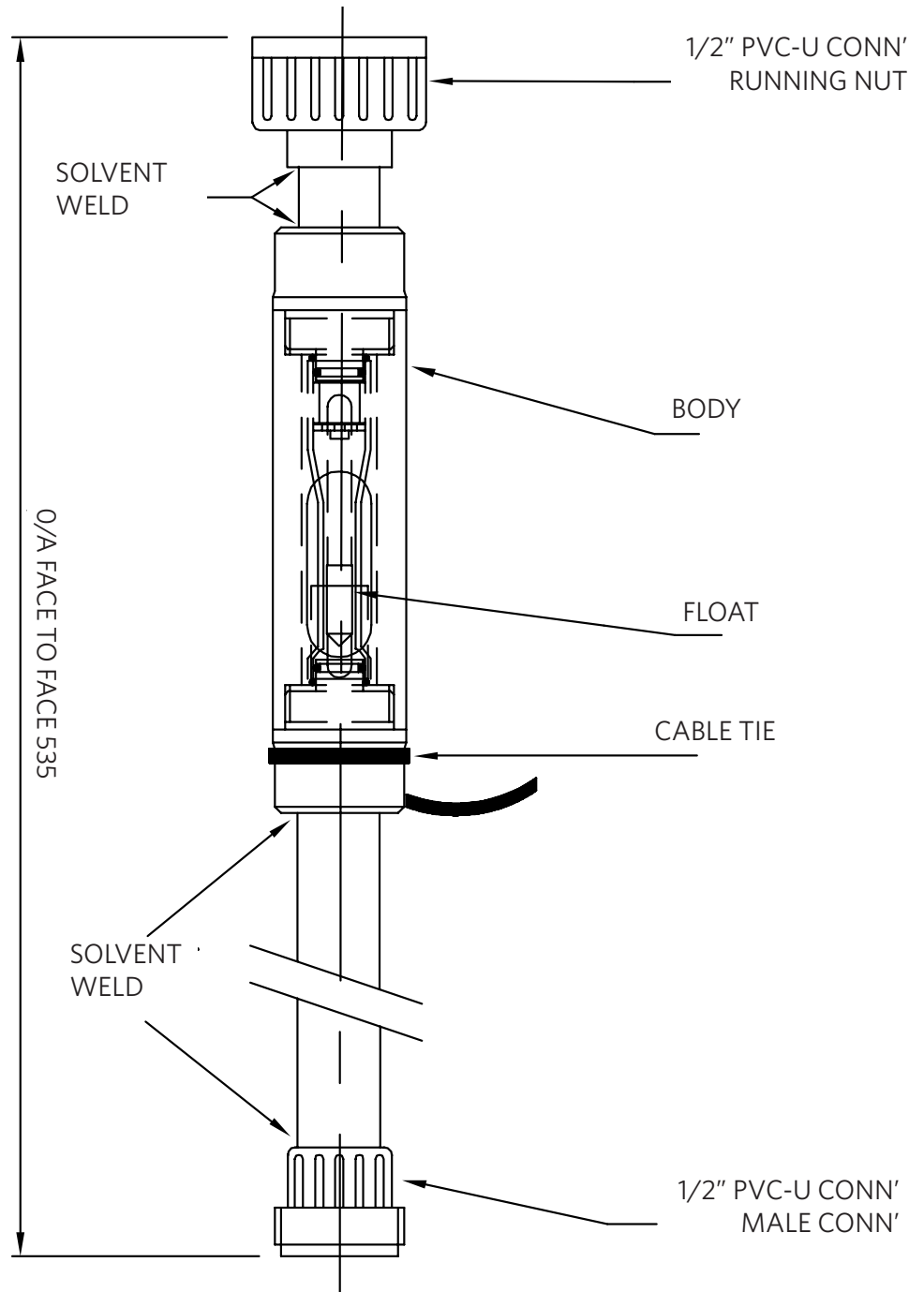
OVERHAUL KIT W2T806231

SWITCH RATING: 100V
 MAX, 1 AMP MAX, 10AV
 MAX RESISTIVE LOAD.

NOMINAL SWITCHING
 LOAD POINT
 EQUIVALENT TO 10 g/hr

SWITCH OPEN BELOW
 SWITCHING POINT

SWITCH CLOSED ABOVE
 SWITCHING POINT



O/A FACE TO FACE 535

1/2" RPVC TUBE TOP & BOTTOM.
 TOP TUBE LENGTH = 50 LONG / BOTTOM TUBE
 LENGTH 362 LONG



Wallace & Tiernan[®] Products worldwide

Australia
 +61 3 8720 6597
 info.au@evoqua.com

Canada
 +1 905 944 2800
 canadainfo@evoqua.com

China
 +86 10 57076305
 sales.cn@evoqua.com

France
 +33 1 41 15 92 20
 wtfr@evoqua.com

Germany
 +49 8221 9040
 wtger@evoqua.com

Singapore
 +65 6830 7165
 sales.sg@evoqua.com

UK
 +44 1732 771777
 info.uk@evoqua.com

USA
 +1 856 507 9000
 wt.us@evoqua.com