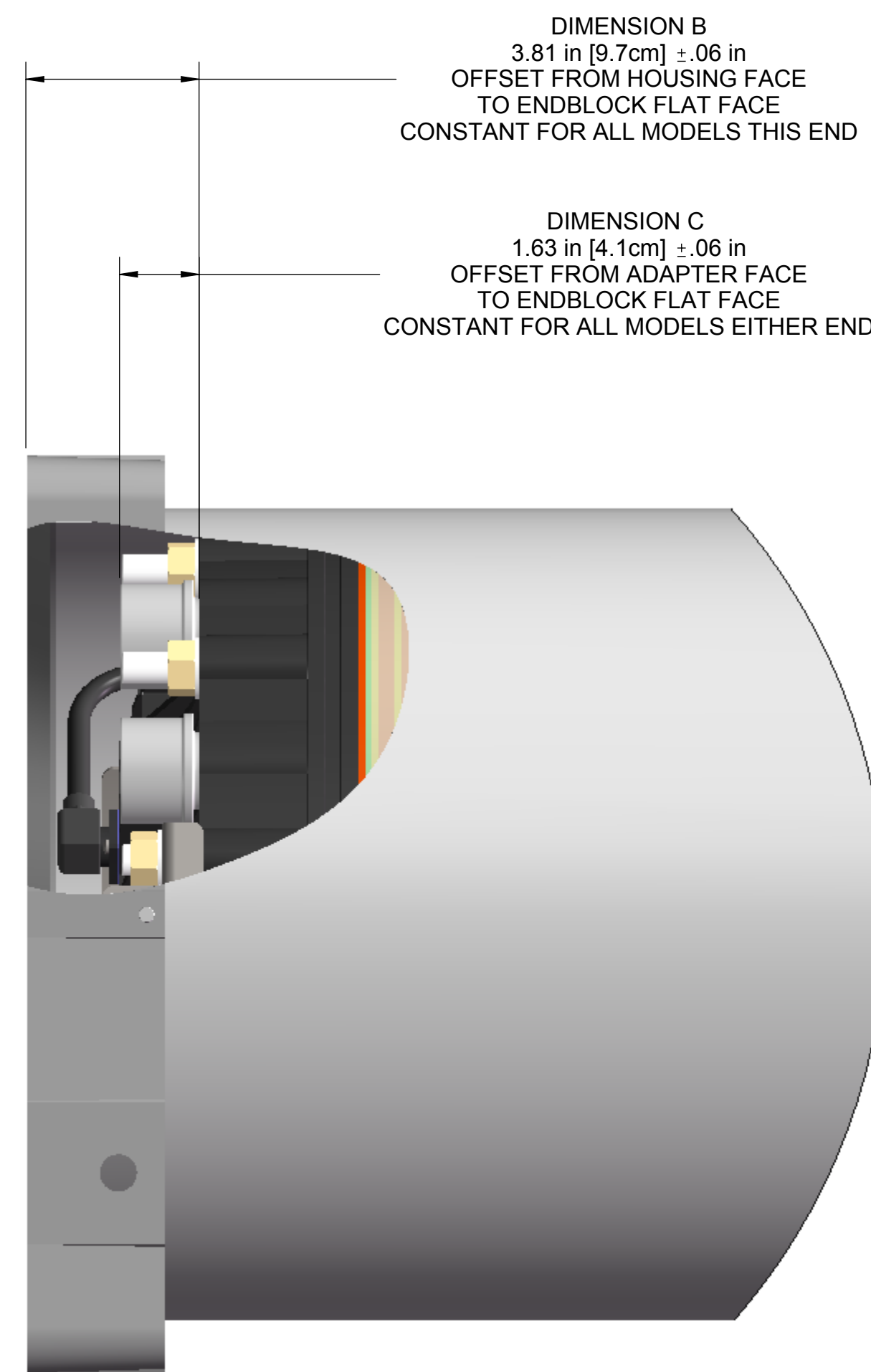


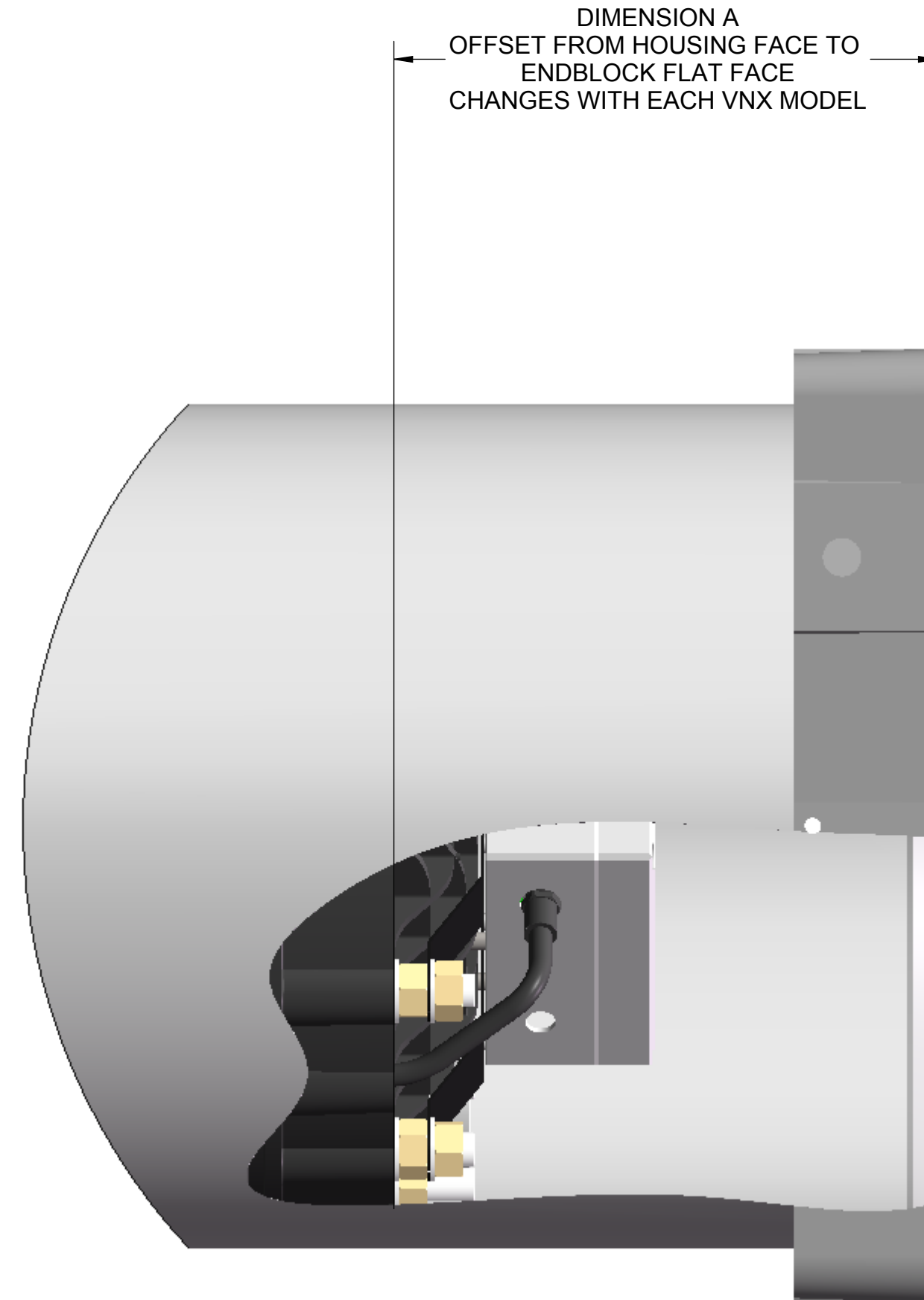
VNX 50-3 SHOWN



DIMENSION B
3.81 in [9.7cm] ±.06 in
OFFSET FROM HOUSING FACE
TO ENDBLOCK FLAT FACE
CONSTANT FOR ALL MODELS THIS END

DIMENSION C
1.63 in [4.1cm] ±.06 in
OFFSET FROM ADAPTER FACE
TO ENDBLOCK FLAT FACE
CONSTANT FOR ALL MODELS EITHER END

DETAIL I
SCALE 1 : 3
FIXED END



DIMENSION A
OFFSET FROM HOUSING FACE TO
ENDBLOCK FLAT FACE
CHANGES WITH EACH VNX MODEL

DETAIL J
SCALE 1 : 3
JUNCTION BOX END

Table 1 Summary of VNX Product Family Changes

Model	Spacer	Endblock Seal	Cells per stack	Nominal gpm	Flowrate m ³ /h	EndOffset(in) Dimension A	EndOffset(mm) Dimension A
VNX50-1	Gen 1	O-ring	45	50	11.4	N/A	N/A
VNX50-2	Gen 1	O-ring	45	50	11.4	5.53 ± 0.35	140 ± 8.9
VNX50-3	Gen 2	Gasket	45	50	11.4	11.39 ± 0.30	289 ± 7.6
VNX55-2	Gen 2	Gasket	50	55	12.5	6.15 ± 0.30	156 ± 7.6

NOTES:

- USE WHEN CONVERTING PIPING CONFIGURATIONS WHEN UPGRADING VNX MODELS.
- DIMENSION B REMAINS CONSTANT FOR ALL MODUELS AT FIXED END.
- DIMENSION B REMAINS CONSTANT FOR ALL MODUELS EITHER END.
- DIMENSION A CHANGES BASED ON THE SPECIFIC VNX MODEL. SEE TABLE 1.

<p>ALL DIMENSIONS ARE IN INCHES OR DEGREES UNLESS OTHERWISE SHOWN. ALL DISTANCE TOLERANCES UNLESS OTHERWISE SHOWN ARE: XX ±0.1, XXX ± 0.1, XXXX ± 0.05. ALL ANGLE TOLERANCES UNLESS OTHERWISE SHOWN ARE X ±1°, XX ±0.1°.</p>										<p>COMPANY CONFIDENTIAL THIS DOCUMENT AND ALL INFORMATION CONTAINED HEREIN ARE THE PROPERTY OF SIEMENS AND/OR ITS AFFILIATES. THE DESIGN CONCEPTS AND INFORMATION CONTAINED HEREIN ARE PROPRIETARY TO SIEMENS AND ARE SUBMITTED IN CONFIDENCE. THEY ARE NOT TRANSFERABLE AND MUST BE USED ONLY FOR THE PURPOSE FOR WHICH THE DOCUMENT IS EXPRESSLY LOANED. THEY MUST NOT BE DISCLOSED, REPRODUCED, LOANED OR USED IN ANY OTHER MANNER WITHOUT THE EXPRESS WRITTEN CONSENT OF SIEMENS. IN NO EVENT SHALL THEY BE USED IN ANY MANNER DETRIMENTAL TO THE INTEREST OF SIEMENS. ALL PATENT RIGHTS ARE RESERVED. UPON THE DEMAND OF SIEMENS, THIS DOCUMENT, ALONG WITH ALL COPIES AND EXTRACTS, AND ALL RELATED NOTES AND ANALYSIS, MUST BE RETURNED TO SIEMENS OR DESTROYED AS INSTRUCTED BY SIEMENS. ACCEPTANCE OF THE DELIVERY OF THIS DOCUMENT CONSTITUTES AGREEMENT TO THESE TERMS AND CONDITIONS.</p>										DESIGNER H.FRYE	DATE 6/17/13	TITLE PIPE ADAPTATION COMPARISON
REV	DESCRIPTION	DATE	DWN	CHKD	APVD	ECN	CHECKER	DATE	ENGINEER	DATE	MANAGER	DATE	FILE:	PROJECT RD3002	FORMAT 22X34 D	DRAWING COMPARISON	SHEET 1 OF 1	REV R1				

