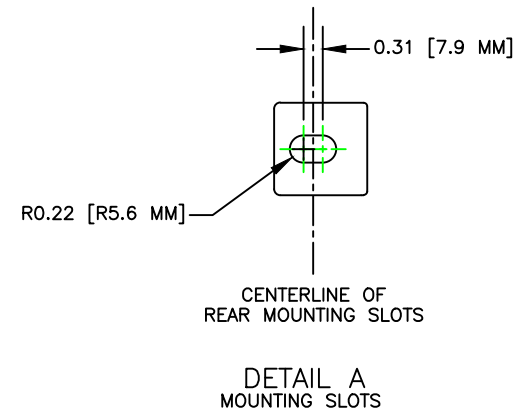
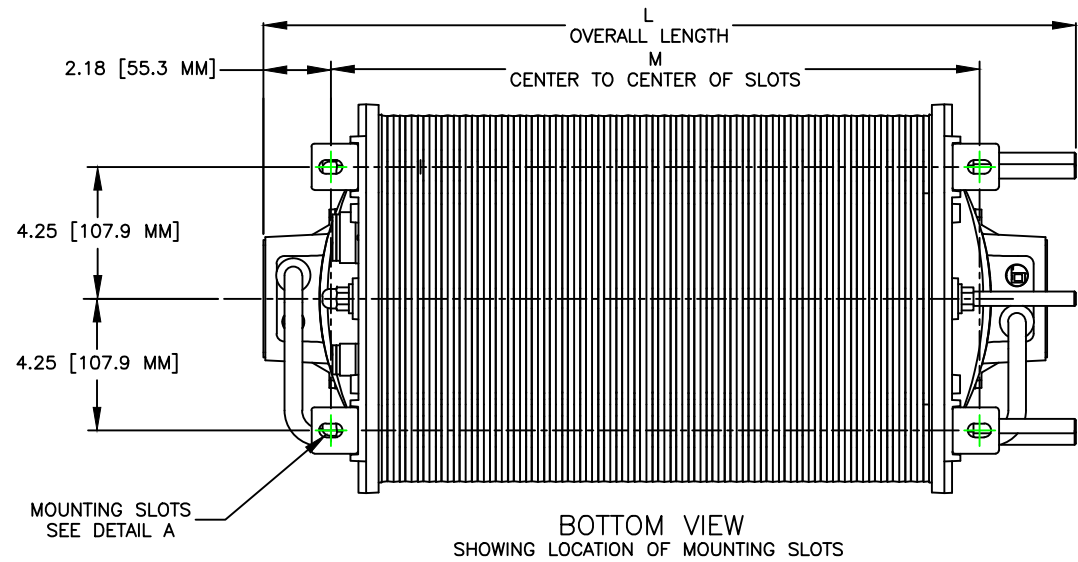
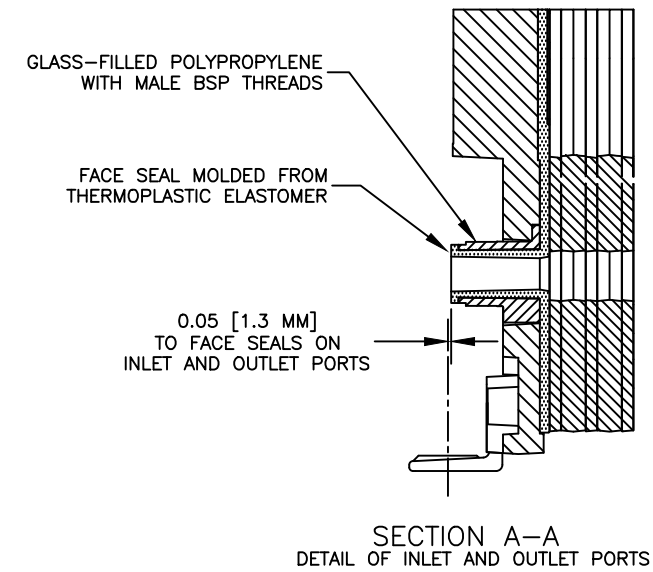
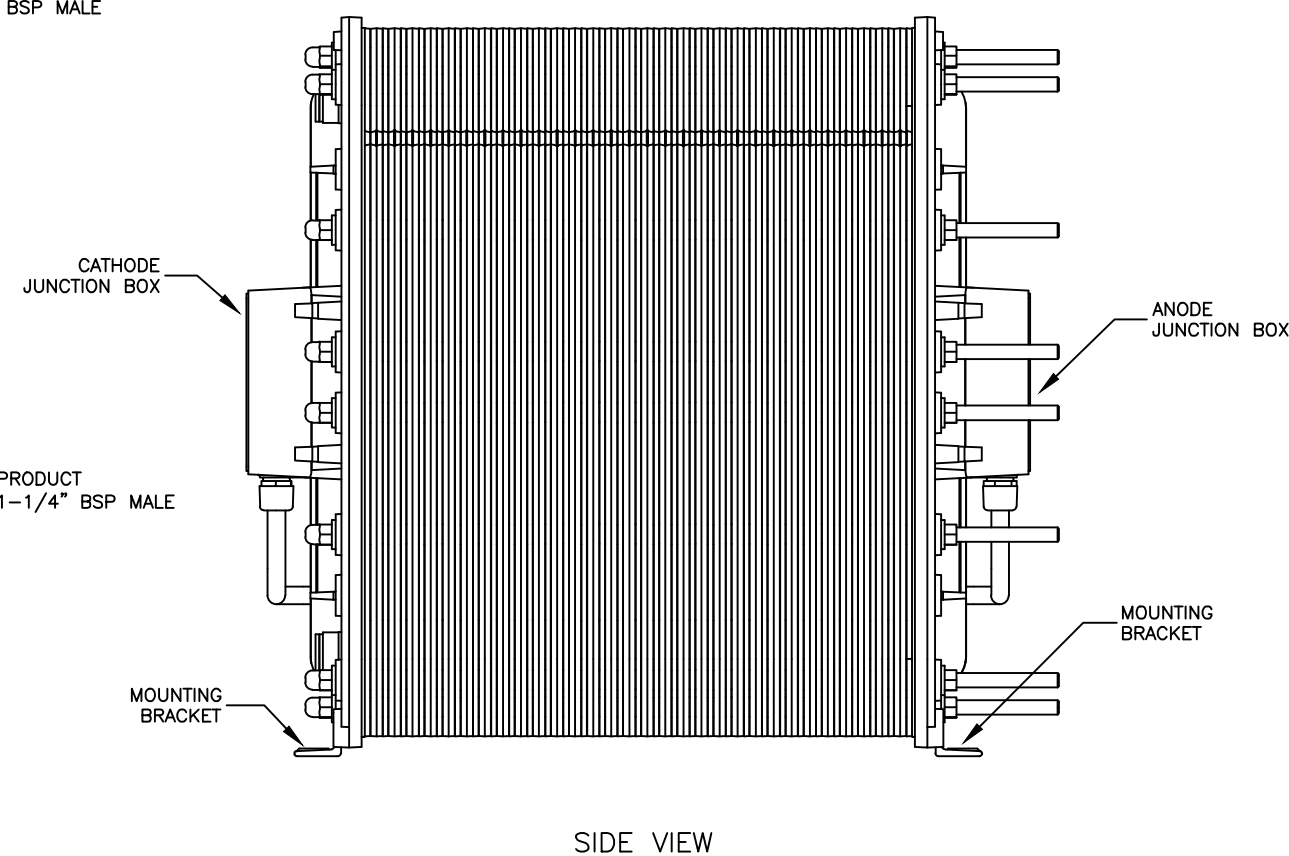
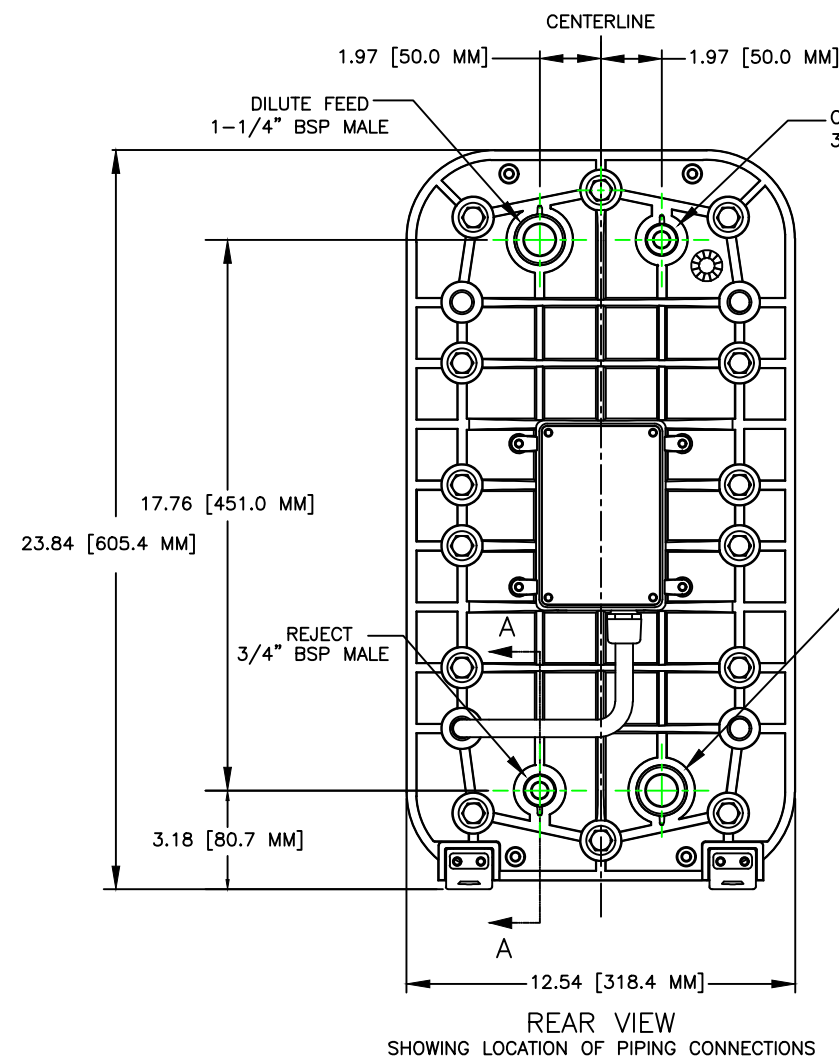


REV	ECN	DESCRIPTION	DATE	DWN
A	NA	INITIAL DESIGN	3-2-2017	HUJ



- NOTES:**
1. ALL DIMENSIONS ARE IN INCHES [MM]
 2. ELECTRICAL CONNECTIONS TO THE DC POWER SUPPLY CAN BE MADE TO EITHER THE ANODE OR THE CATHODE JUNCTION BOX.
 3. LENGTH "L" MAY BE TO END OF TIE-BAR OR JUNCTION BOX AT ANODE END DEPENDING ON MODULE CONFIGURATION.
 4. DWG PERTAINS TO ALL LX-X, LX-Z, LX-EU MODULES.

MODULE	L ±.25 [6.4MM]	M ±.13 [3.2MM]
IP-LXM4xx-4	10.12 [257.0MM]	5.78 [146.8MM]
IP-LXM10xx-4	13.69 [347.7MM]	9.28 [235.7MM]
IP-LXM18xx-4	19.22 [488.2MM]	13.93 [353.8MM]
IP-LXM24xx-4	23.69 [601.7MM]	17.43 [442.7MM]
IP-LXM30xx-4	27.42 [696.5MM]	20.92 [531.3MM]
IP-LXM45xx-4	35.72 [907.3MM]	29.44 [747.7MM]

UNLESS OTHERWISE SPECIFIED ALL DIMENSIONS ARE IN INCH (MM)
TOLERANCES: INCH .XX ±0.02
.XXX±0.005
MM .X ±0.5
.XX ±0.13
ANGLES: ±1°
SURFACE ROUGHNESS: 63
DO NOT SCALE PRINT

THIS DOCUMENT AND ALL INFORMATION CONTAINED HEREIN ARE THE PROPERTY OF THE EMPLOYEE AND/OR HIS AFFILIATE COMPANY. THE DESIGN CONCEPTS AND INFORMATION CONTAINED HEREIN ARE PROPRIETARY TO EMPLOYEE AND ARE SUBMITTED IN CONFIDENCE. THEY ARE NOT TRANSFERABLE AND MUST BE USED ONLY FOR THE PURPOSE FOR WHICH THE DOCUMENT IS EXPRESSLY LOANED. THEY MUST NOT BE DISCLOSED, REPRODUCED, LOANED OR USED IN ANY OTHER MANNER WITHOUT THE EXPRESS WRITTEN CONSENT OF EMPLOYEE. IF NO NOTICE SHALL THEY BE USED IN ANY MANNER DETRIMENTAL TO THE INTEREST OF EMPLOYEE. ALL PATENT RIGHTS ARE RESERVED. UPON THE DEMAND OF EMPLOYEE, THIS DOCUMENT, ALONG WITH ALL COPIES AND EXTRACTS, AND ALL RELATED NOTES AND ANALYSES, MUST BE RETURNED TO EMPLOYEE OR DESTROYED AS INSTRUCTED BY EMPLOYEE. ACCEPTANCE OF THE DELIVERY OF THIS DOCUMENT CONSTITUTES AGREEMENT TO THESE TERMS AND CONDITIONS.

DESIGNER	DATE	TITLE
HUJ	3/2/17	LAYOUT AND ELEVATION IP-LX4 MODULES
CHECKER	DATE	CLIENT
ENGINEER	DATE	ONPURE
MANAGER	DATE	EVQVQA WATER TECHNOLOGIES TEWKSBURY, MA
MATERIAL	DATE	PROJECT
SCALE: 1:4	SURFACE TREATMENT	DRAWING
		IP-LXM#xx-4
	SHEET	REV
	1 OF 1	A